

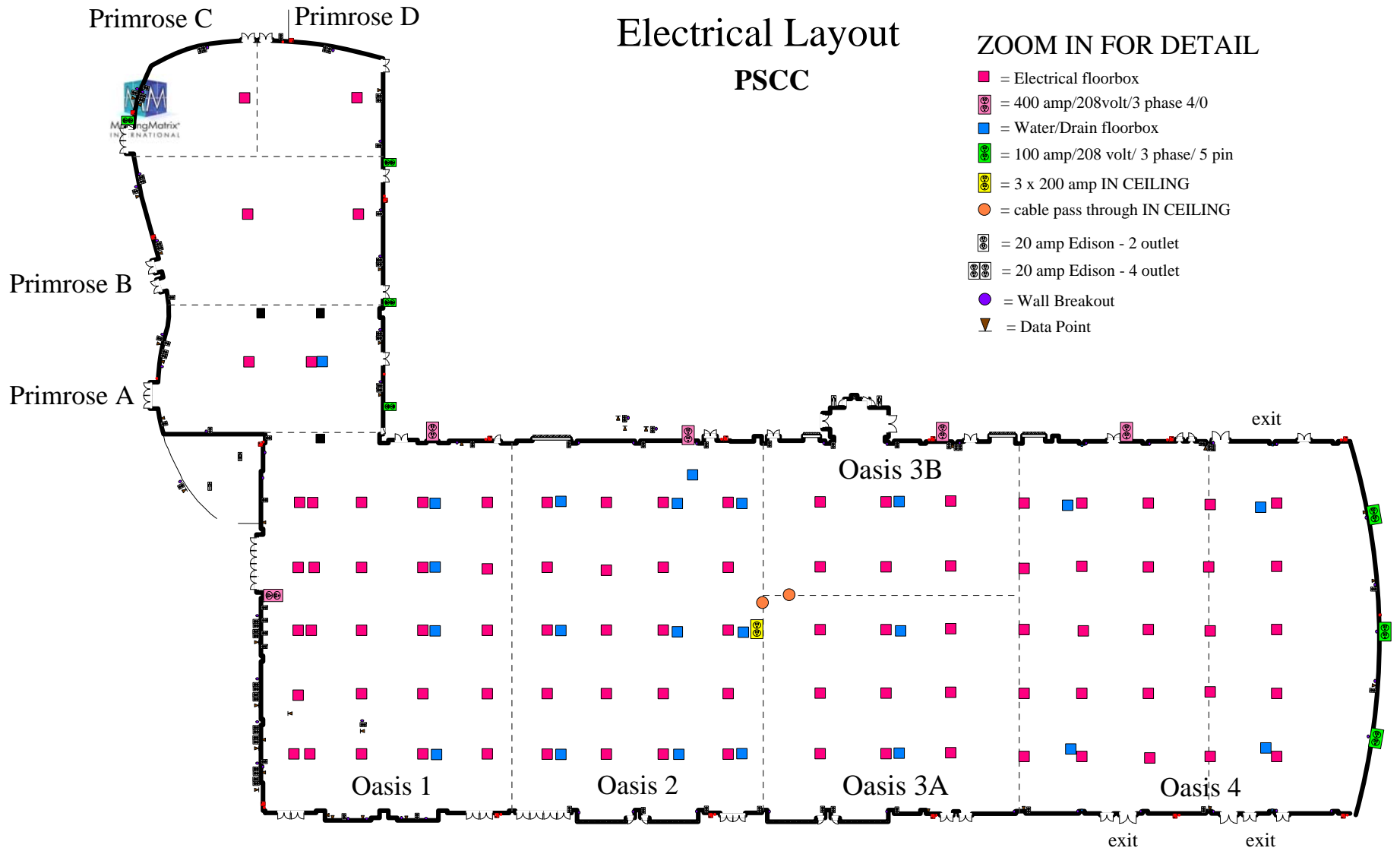
# Exhibit Hall & Primrose Ballroom

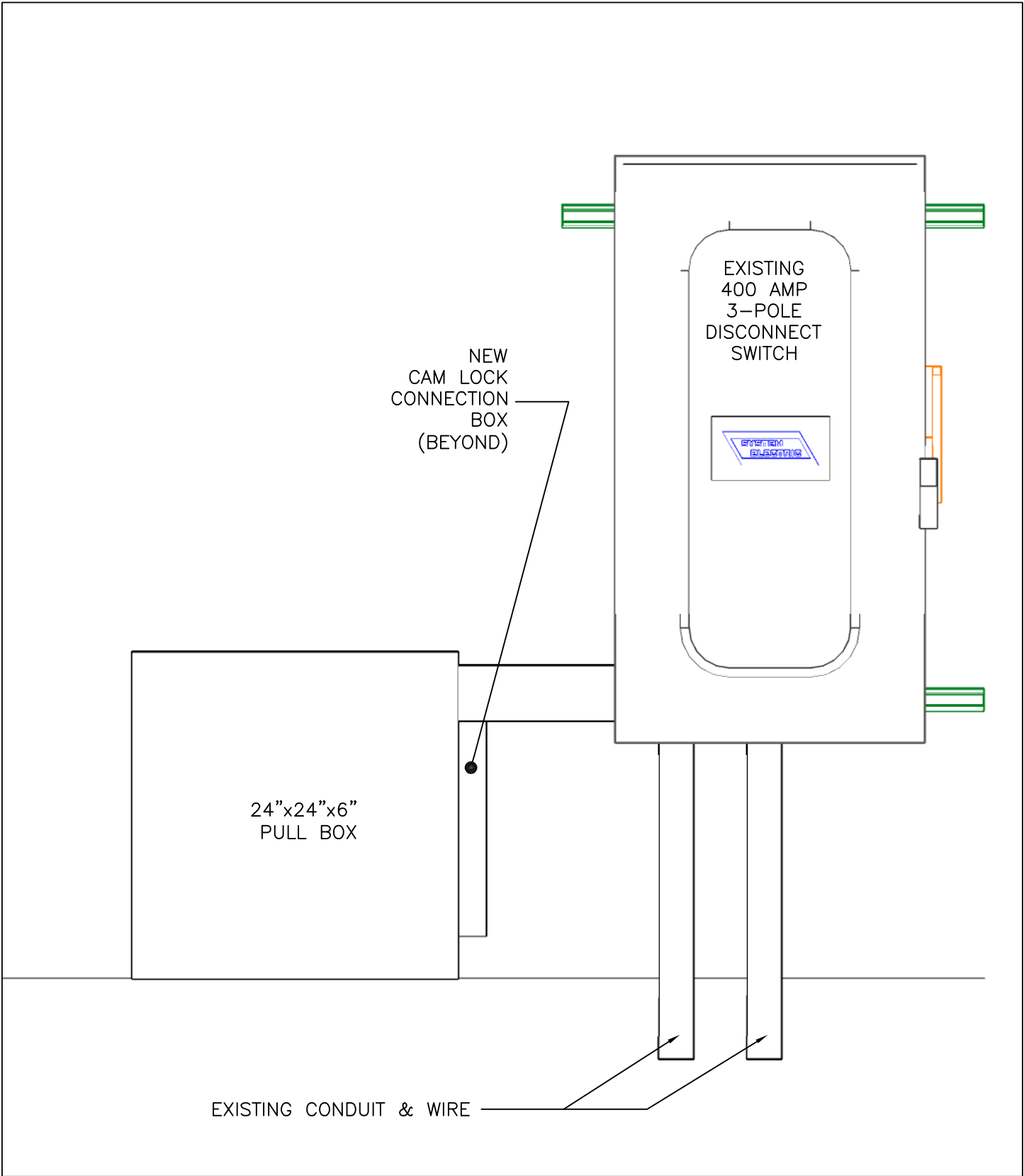
## Electrical Layout

ZOOM IN FOR DETAIL

PSCC

- = Electrical floorbox
- ⊗ = 400 amp/208volt/3 phase 4/0
- = Water/Drain floorbox
- ⊗ = 100 amp/208 volt/ 3 phase/ 5 pin
- ⊗ = 3 x 200 amp IN CEILING
- = cable pass through IN CEILING
- ⊗ = 20 amp Edison - 2 outlet
- ⊗ = 20 amp Edison - 4 outlet
- = Wall Breakout
- ▼ = Data Point





ELECTRICAL DESIGN AND CONSTRUCTION BY  
 1278 MONTALVO WAY  
 PALM SPRINGS  
 CALIFORNIA 92262  
 PHONE (760)327-7847  
 FAX (760)323-7247  
 E-MAIL ElectricPS@AOL.COM

**SYSTEM ELECTRIC**

NOTICE: LICENSE 203019(C-10)  
 All ideas, designs and arrangements and plans indicated or represented by this drawing are owned by, and the property of SYSTEM ELECTRIC and are for the exclusive use of SYSTEM ELECTRIC.

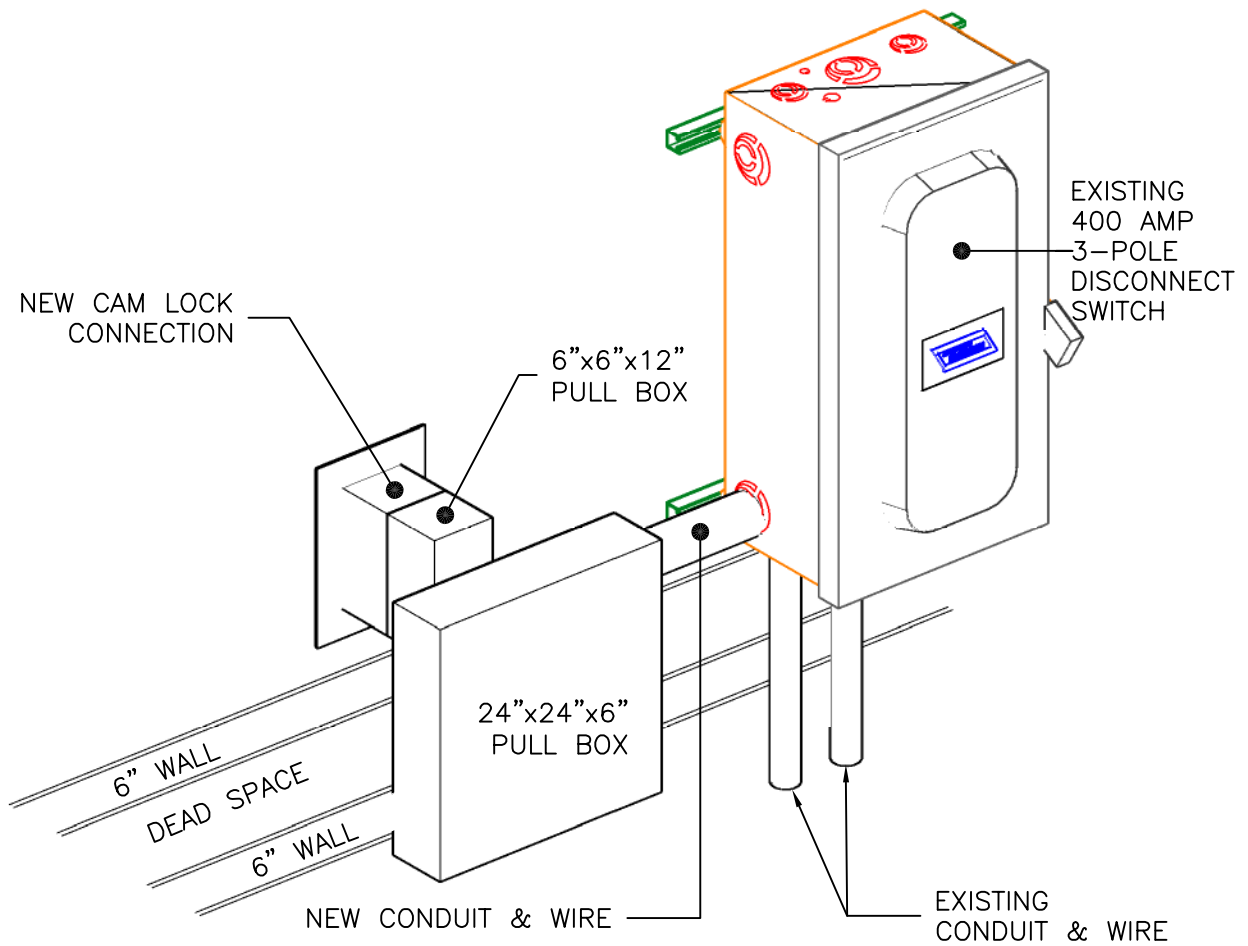
Written dimensions on these drawings take precedence over scaled dimensions.

DATE: **5/13/2010**  
 PROJECT NO: **10047**

**PALM SPRINGS  
 CONVENTION  
 CENTER**

SHEET TITLE  
**FRONT VIEW**

PROJECT  
**CAM LOCKS-400amp (b)**



ELECTRICAL DESIGN AND CONSTRUCTION BY  
 1278 MONTALVO WAY  
 PALM SPRINGS  
 CALIFORNIA 92262  
 PHONE (760)327-7847  
 FAX (760)323-7247  
 E-MAIL ElectricPS@AOL.COM

NOTICE: LICENSE 203019(C-10)  
 All ideas, designs and arrangements and plans indicated or represented by this drawing are owned by, and the property of SYSTEM ELECTRIC and are for the exclusive use of SYSTEM ELECTRIC.

Written dimensions on these drawings take precedence over scaled dimensions.

DATE: 5/13/2010

PROJECT NO: 10047

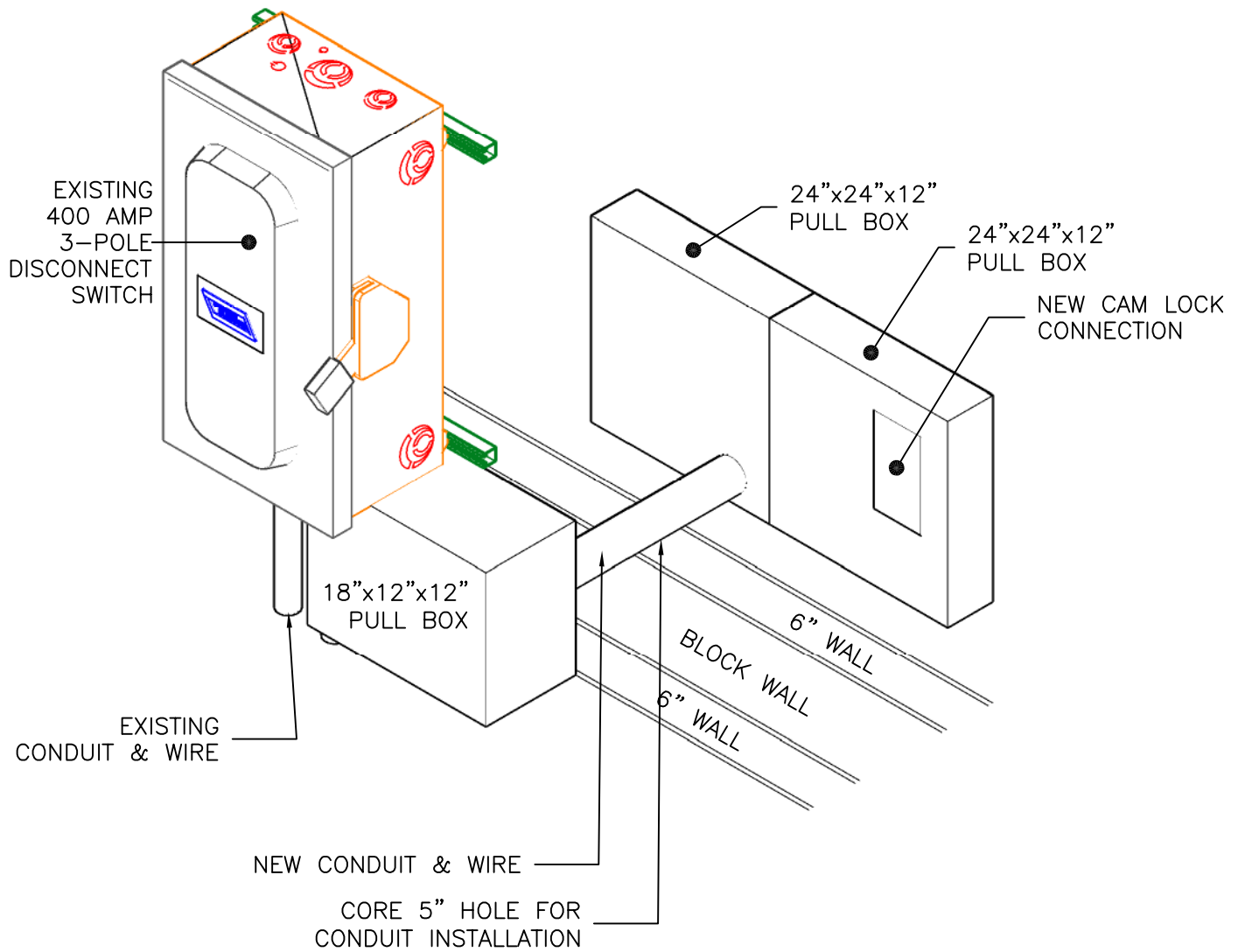
PALM SPRINGS  
 CONVENTION  
 CENTER

SHEET TITLE

ISOMETRIC VIEW

PROJECT

CAM LOCKS-400amp (b)



ELECTRICAL DESIGN AND CONSTRUCTION BY  
 1278 MONTALVO WAY  
 PALM SPRINGS  
 CALIFORNIA 92262  
 PHONE (760)327-7847  
 FAX (760)323-7247  
 E-MAIL ElectricPS@AOL.COM

NOTICE: LICENSE 203019(C-10)  
 All ideas, designs and arrangements and plans indicated or represented by this drawing are owned by, and the property of SYSTEM ELECTRIC and are for the exclusive use of SYSTEM ELECTRIC.

Written dimensions on these drawings take precedence over scaled dimensions.

DATE: 5/13/2010

PROJECT NO: 10047

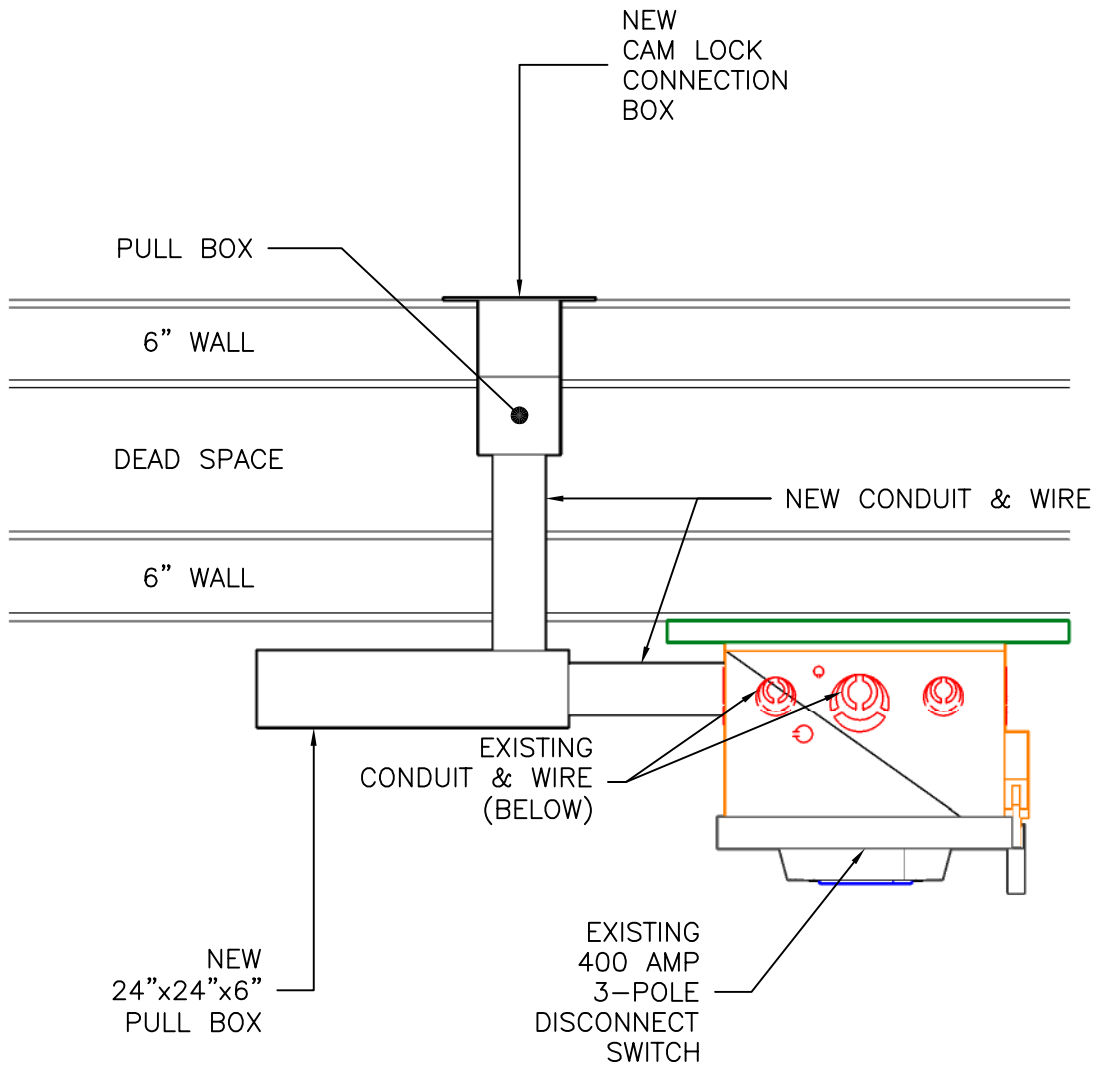
PALM SPRINGS  
 CONVENTION  
 CENTER

SHEET TITLE

ISOMETRIC VIEW

PROJECT

CAM LOCKS-400amp (c)



ELECTRICAL DESIGN AND CONSTRUCTION BY  
 1278 MONTALVO WAY  
 PALM SPRINGS  
 CALIFORNIA 92262  
 PHONE (760)327-7847  
 FAX (760)323-7247  
 E-MAIL ElectricPS@AOL.COM

NOTICE: LICENSE 203019(C-10)  
 All ideas, designs and arrangements and plans indicated or represented by this drawing are owned by, and the property of SYSTEM ELECTRIC and are for the exclusive use of SYSTEM ELECTRIC.

Written dimensions on these drawings take precedence over scaled dimensions.

DATE: 5/13/2010

PROJECT NO: 10047

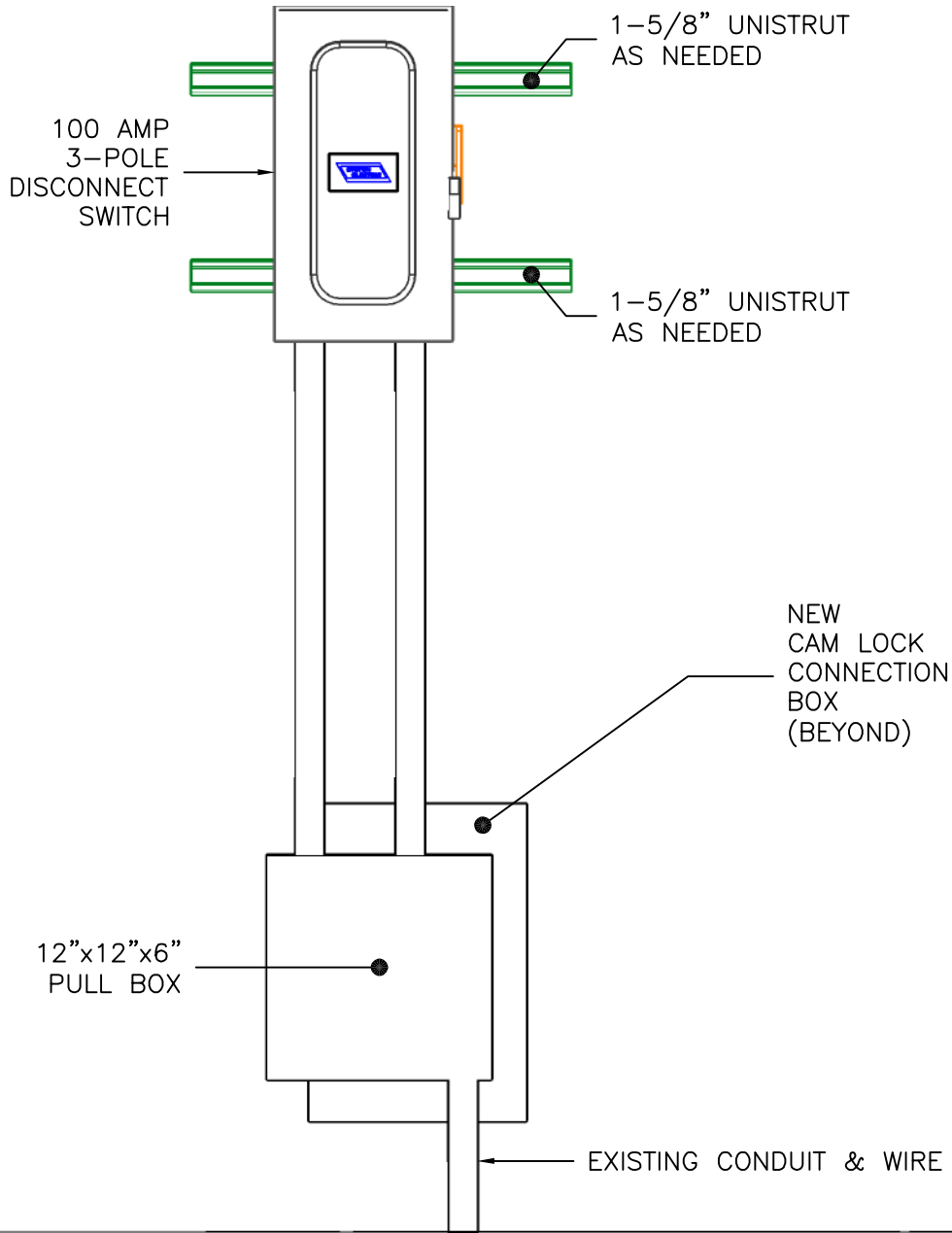
PALM SPRINGS  
 CONVENTION  
 CENTER

SHEET TITLE

PLAN VIEW

PROJECT

CAM LOCKS-400amp (b)



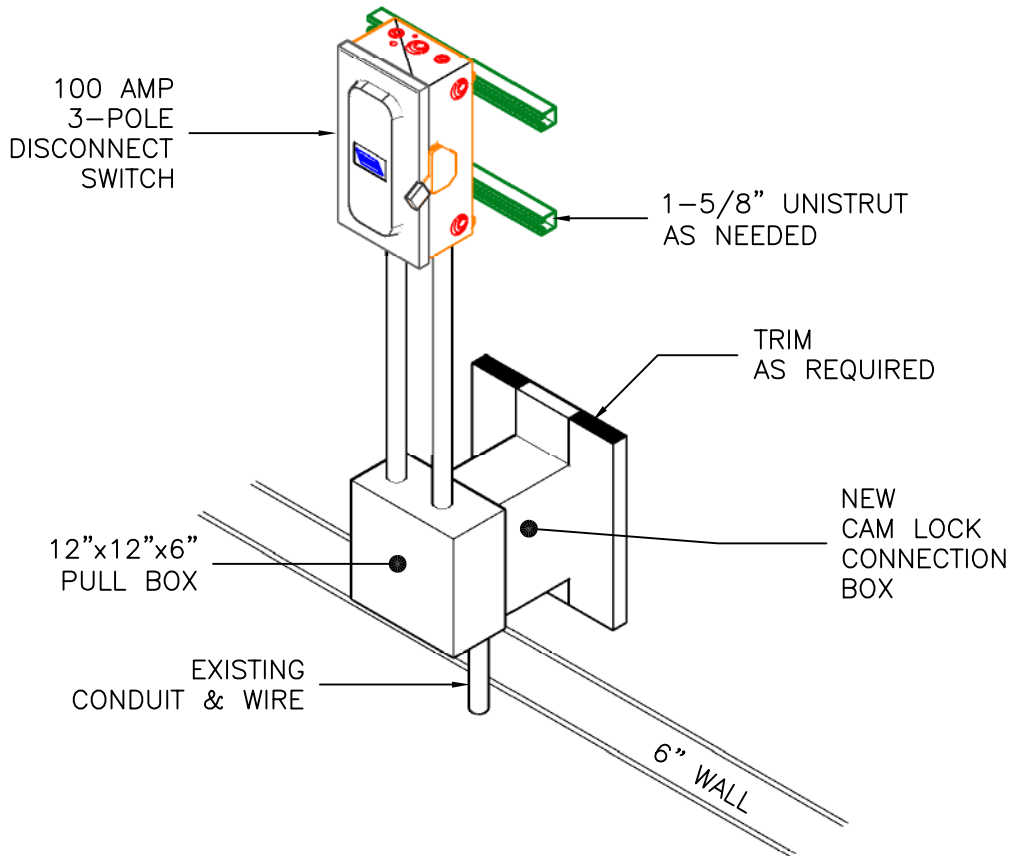
ELECTRICAL DESIGN AND CONSTRUCTION BY  
 1278 MONTALVO WAY  
 PALM SPRINGS  
 CALIFORNIA 92262  
 PHONE (760)327-7847  
 FAX (760)323-7247  
 E-MAIL ElectricPS@AOL.COM

NOTICE:  
 LICENSE 203019(C-10)  
 All ideas, designs and arrangements and plans indicated or represented by this drawing are owned by, and the property of SYSTEM ELECTRIC and are for the exclusive use of SYSTEM ELECTRIC.  
 Written dimensions on these drawings take precedence over scaled dimensions.

DATE: **5/13/2010**  
 PROJECT NO: **10047**

**PALM SPRINGS  
 CONVENTION  
 CENTER**

SHEET TITLE  
**FRONT VIEW**  
 PROJECT **PRIMROSE CAM LOCKS**  
**(100amp (b))**



ELECTRICAL DESIGN AND CONSTRUCTION BY  
1278 MONTALVO WAY  
PALM SPRINGS  
CALIFORNIA 92262  
PHONE (760)327-7847  
FAX (760)323-7247  
E-MAIL ElectricPS@AOL.COM

NOTICE:  
LICENSE 203019(C-10)  
All ideas, designs and arrangements and plans indicated or represented by this drawing are owned by, and the property of SYSTEM ELECTRIC and are for the exclusive use of SYSTEM ELECTRIC.

Written dimensions on these drawings take precedence over scaled dimensions.

DATE: **5/13/2010**  
PROJECT NO: **10047**

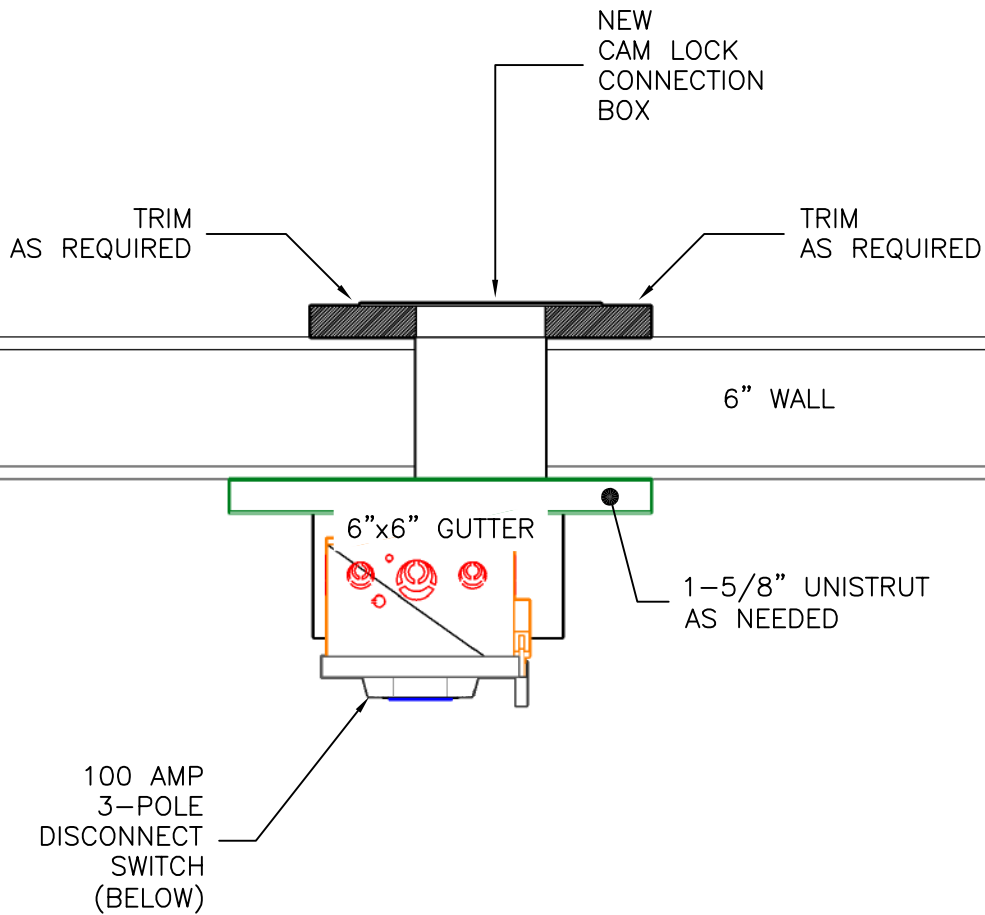
**PALM SPRINGS  
CONVENTION  
CENTER**

SHEET TITLE

**ISOMETRIC VIEW**

PROJECT

**PRIMROSE CAM LOCKS  
(100amp (b))**



ELECTRICAL DESIGN AND CONSTRUCTION BY  
 1278 MONTALVO WAY  
 PALM SPRINGS  
 CALIFORNIA 92262  
 PHONE (760)327-7847  
 FAX (760)323-7247  
 E-MAIL ElectricPS@AOL.COM

NOTICE:  
 LICENSE 203019(C-10)  
 All ideas, designs and arrangements and plans indicated or represented by this drawing are owned by, and the property of SYSTEM ELECTRIC and are for the exclusive use of SYSTEM ELECTRIC.

Written dimensions on these drawings take precedence over scaled dimensions.

DATE: **5/13/2010**  
 PROJECT NO: **10047**

**PALM SPRINGS  
 CONVENTION  
 CENTER**

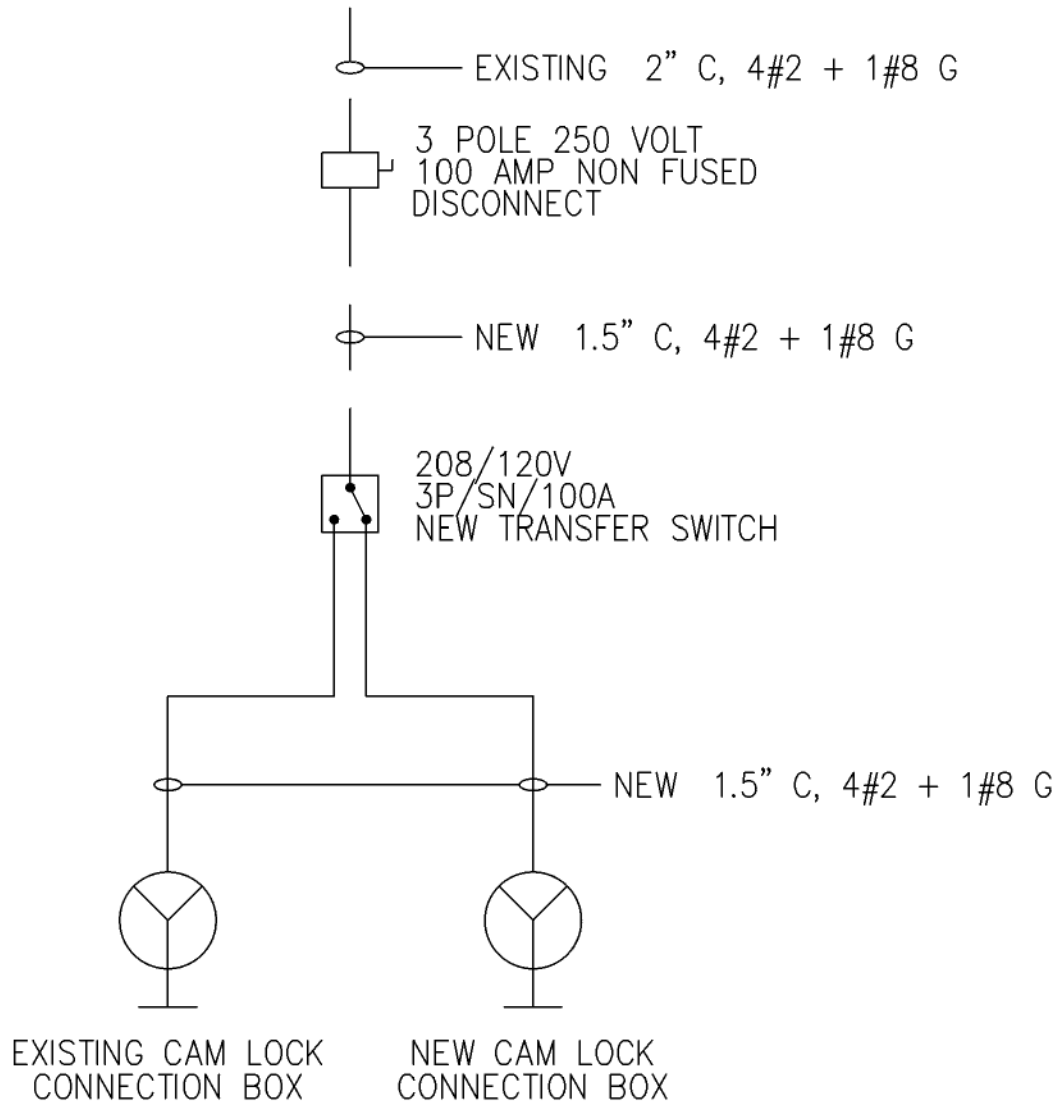
SHEET TITLE

**PLAN VIEW**

PROJECT

**PRIMROSE CAM LOCKS  
 (100amp (b))**





ELECTRICAL DESIGN AND CONSTRUCTION BY  
 1278 MONTALVO WAY  
 PALM SPRINGS  
 CALIFORNIA 92262  
 PHONE (760)327-7847  
 FAX (760)323-7247  
 E-MAIL ElectricPS@AOL.COM

NOTICE: LICENSE 203019(C-10)  
 All ideas, designs and arrangements and plans indicated or represented by this  
 drawing are owned by, and the property of SYSTEM ELECTRIC and are for  
 the exclusive use of SYSTEM ELECTRIC.

Written dimensions on these drawings take precedence over scaled dimensions.

DATE: 5/13/2010

PROJECT NO: 10047

PALM SPRINGS  
 CONVENTION  
 CENTER

SHEET TITLE

SINGLE LINE DIAGRAM

PROJECT

PRIMROSE CAM LOCKS

(100amp (b))